

# Wanco<sup>®</sup> Solar/LED Light Tower



State of Arizona - Contract CTR62309 - Category 11 - Towable Equipment

## Small trailer Solar 730W

2023 General Pricing

### Standard Features

**Trailer:** Tubular steel welded construction, Extendable Rear Bumper for Added wind Stability, Front access fork lift pockets, Round Full Wheel Fenders that are Bolted to the Trailer Frame, Axle Assembly 2,000 lb., Double-Eye Leaf Springs, Four 2,000 lb. Stabilizer Corner Jacks, Red and White Conspicuity Tape

**Drawbar:** Tilting, 2" Ball Hitch, Swivel Wheel Tongue Jack, Flat-four trailer lights plug

**Tower:** 20-Foot Telescoping Tower Rotating 355 Degrees, Hand-operated Winch for Raising and Lowering Tower, Four 60 Watt LED Light Fixtures (34,428 Total Lumens)

**Standard color:** Powder Coated Flat Black

**Solar:** High-Efficiency Photovoltaic Solar Modules, Hand crank Adjustable-tilt Solar Panel Array, 730W Solar Panel total capacity

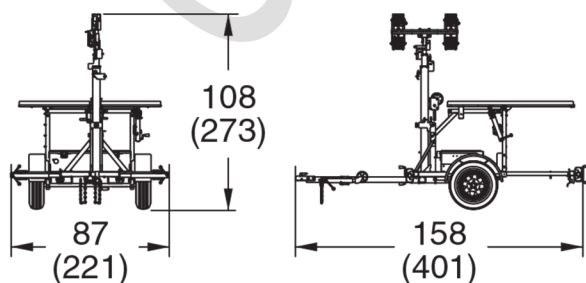
**Control Box:** Located Inside the Battery Box with front access door, Six standard positions include: Manual, Dusk to Dawn and 4x Dusk + run timer Operating Modes, Individual Toggle Switches to Power Lights, Powder Coated White

**Batteries:** Wanco Battery Box front access door, Four 12V sealed AGM Batteries (400 Ah Total Capacity), approximately 30 hrs. run time, 40 Amp Battery Charger

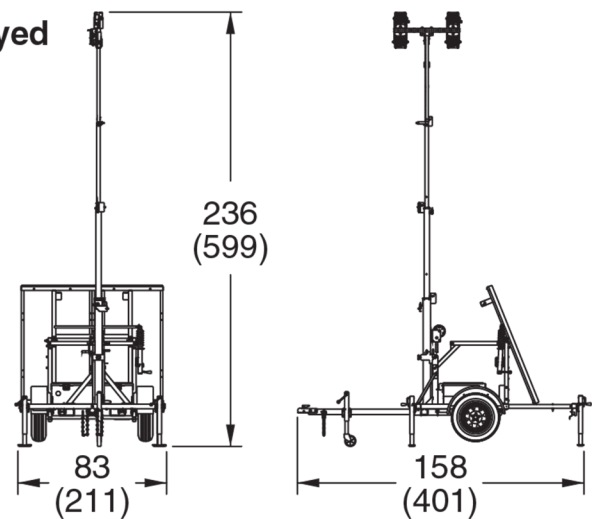
Models	Model Code	Part Number	MSRP
Small compact trailer and 730-watt solar array (Two-365W flat)	WLTS-SM4A-730	236891-C1	\$17,650
Options	Add	MSRP	
Replace 60W LED lights to 100W LED lights, (four 100W LED lights) total light output 54,836 lumen			\$3,035
Lunette ring for 2.5-inch pintle hitch (replaces standard ball hitch)			\$110
Timer 7 day / 24 hours			\$385
Extension cord for battery charger, 20Amp x 25 ft long (208890)			\$120
Wanco Asset GPS tracker, includes 5 years' service			\$650

Dimensions in inches (cm)

### Travel Position



### Deployed



All Prices are FOB Wanco Factory. Confidential Information. Do not disclose to parties outside of your organization. Pricing effective 7/15/2023

# Wanaco<sup>®</sup> Solar/LED Light Tower

## Medium trailer Solar 800W

### Standard Features

**Trailer:** Tubular steel welded construction, Four 2,000 lb. Stabilizer Corner Jacks for Added wind Stability, Front access fork lift pockets, crane lifting eyes, Round Full Wheel Fenders that are Bolted to the Trailer Frame, Axle Assembly 3,500 lb., Double-Eye Leaf Springs, 15" wheels / tires, Red and White Conspicuity Tape

**Drawbar:** Tilting, 2" Ball Hitch, Swivel Wheel Tongue Jack, Flat-four trailer lights plug

**Tower:** 24-Foot Telescoping Tower Rotating 355 Degrees, Hand-operated Winch for Raising and Lowering Tower, lights adjustable from the ground.

**LED Lights:** Four independently controlled 160 Watt dimmable fixtures (92,928 Max. Total Lumens),

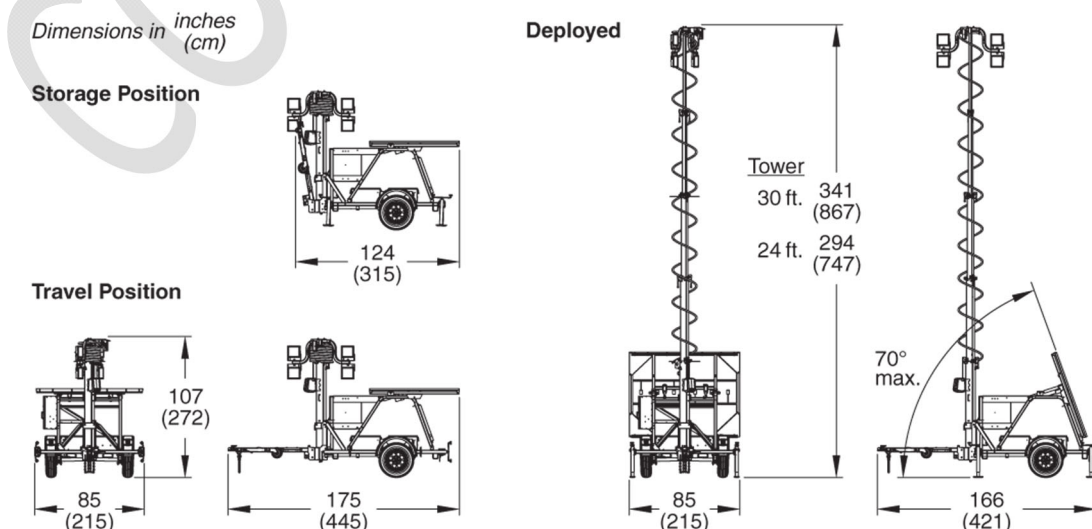
**Solar:** High-Efficiency Photovoltaic Solar Modules, capacity 800-Watts, dual electric actuator-tilt, Smart MPPT blue-tooth solar controller, battery "Time-remaining" feature.

**Control Box:** Aluminum control box with 3-point locking door, Color 7" touch screen controller for LED light control, solar / battery power management meter, Master battery disconnect switch, Solar panel tilt switch

**Batteries:** Wanaco Battery Box with Bolted Lid, Four 12V sealed AGM Batteries (400 Ah Total Capacity), 50 Amp Battery Charger, approximate batteries only run time: 50% brightness = 25Hrs; 100% brightness = 10 Hrs.

**Standard color:** Powder Coated Flat Black, white battery box and NEMA box

Models	Model Code	Part Number	MSRP
Medium trailer with 800-watt solar array	WLTS-MM4A-800	236584-C1	\$26,450
Options		Add	MSRP
Vertical 30 foot (9.1m) telescoping hand crank winch tower			\$570
Electric winch option instead of hand crank winch			\$860
Deluxe Power Management Monitoring system, 5" touchscreen, Wanaco Cell modem with 5-years' service			\$2,860
Basic Power Management Monitoring system, Globallink 520 modem with 5-years' service			\$1,070
Lunette ring for 3.0-inch pintle hitch (replaces standard hitch)			\$100
Spare tire / wheel and carrier			\$285
Wheel chocks			\$430



**All Prices are FOB Wanaco Factory. Confidential Information. Do not disclose to parties outside of your organization. Pricing effective 7/15/2023**

# Wanaco<sup>®</sup> Solar/LED Light Tower

## Medium trailer Solar 1,600W

### Standard Features

**Trailer:** Tubular steel welded construction, Four 2,000 lb. Stabilizer Corner Jacks for Added wind Stability, Front access fork lift pockets, crane lifting eyes, Round Full Wheel Fenders that are Bolted to the Trailer Frame, Axle Assembly 3,500 lb., Double-Eye Leaf Springs, 15" wheels / tires, Red and White Conspicuity Tape

**Drawbar:** Tilting, 2" Ball Hitch, Swivel Wheel Tongue Jack, Flat-four trailer lights plug

**Tower:** 24-Foot Telescoping Tower Rotating 355 Degrees, Hand-operated Winch for Raising and Lowering Tower, lights adjustable from the ground.

**LED Lights:** Four independently controlled 200 Watt dimmable fixtures (128,180 Max. Total Lumens)

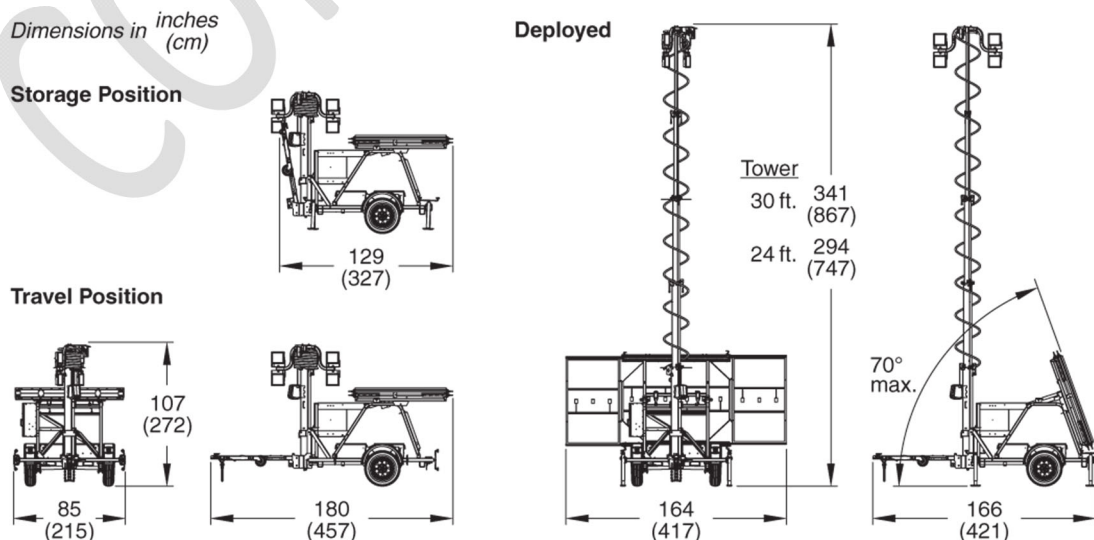
**Control Box:** Aluminum control box with 3-point locking door, Color 7" touch screen controller for LED light control, solar / battery power management meter, Master battery disconnect switch, Solar panel tilt switch

**Solar:** High-Efficiency Photovoltaic Solar Modules, capacity 1,600-Watts, dual electric actuator-tilt, Smart MPPT blue-tooth solar controller, battery "State of Charge and Time-remaining" feature.

**Batteries:** Wanaco Battery Box with Bolted Lid, Eight 12V sealed AGM Batteries (800 Ah Total Capacity,), 50 Amp Battery Charger, approximate batteries only run time: 50% Light brightness = 35 Hrs. 100% Light brightness = 13 Hrs.

**Standard color:** Powder Coated Flat Black, white battery box and NEMA box

Models	Model Code	Part Number	MSRP
Medium trailer with 1,600-watt solar array and 8 batteries	WLTS-MM8A-1600	234867-C1	\$36,430
Options		Add	MSRP
Vertical 30 foot (9.1m) telescoping hand crank winch tower			\$1,000
Electric winch option instead of hand crank winch			\$860
Deluxe Power Management Monitoring system, 5" touchscreen, Wanaco Cell modem with 5-years' service			\$2,860
Basic Power Management Monitoring system, Globallink 520 modem with 5-years' service			\$1,070
Lunette ring for 3.0-inch pintle hitch (replaces standard hitch)			\$100
Spare tire / wheel and carrier			\$285
Wheel chocks and holder			\$430



**All Prices are FOB Wanaco Factory. Confidential Information. Do not disclose to parties outside of your organization. Pricing effective 7/15/2023**

# Wanaco<sup>®</sup> Solar/LED Light Tower

## Medium trailer Hybrid Diesel / Solar 1,600W

### Standard Features

**Trailer:** Tubular steel welded construction, Four 2,000 lb. Stabilizer Corner Jacks for Added wind Stability, Front access fork lift pockets, crane lifting eyes, Round Full Wheel Fenders that are Bolted to the Trailer Frame, Axle Assembly 3,500 lb., Double-Eye Leaf Springs, 15" wheels / tires, Red and White Conspicuity Tape

**Drawbar:** Tilting, 2" Ball Hitch, Swivel Wheel Tongue Jack, Flat-four trailer lights plug

**Tower:** 24-Foot Telescoping Tower Rotating 355 Degrees, Hand-operated Winch for Raising and Lowering Tower

**LED Lights:** Four independently controlled 200 Watt dimmable fixtures (128,180 Max. Total Lumens)

**Control Box:** Aluminum control box with 3-point locking door, Color 7" touch screen controller for LED light control, solar / battery power management meter, Master battery disconnect switch, Solar panel tilt switch

**Solar:** High-Efficiency Photovoltaic Solar Modules, capacity 1,600-Watts, dual electric actuator-tilt, Smart MPPT blue-tooth solar controller, battery "State of Charge and Time-remaining" feature.

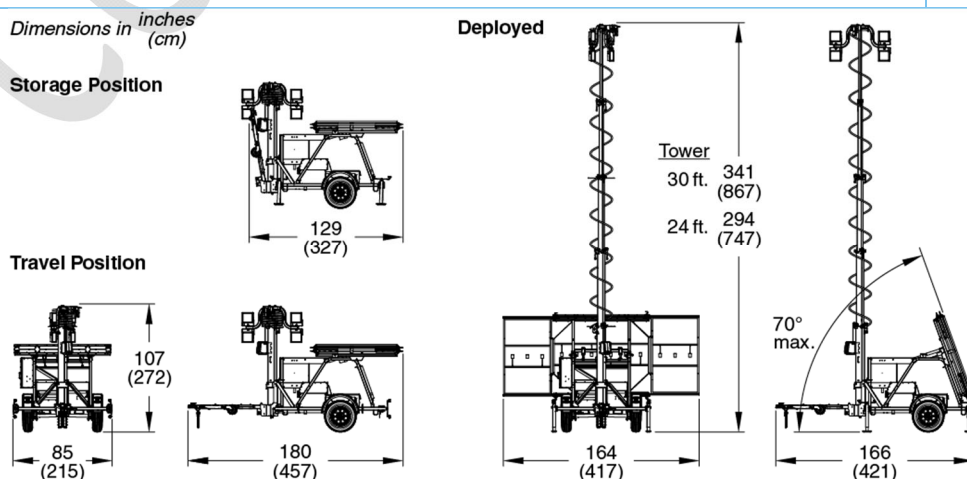
**Hybrid diesel option:** Sound attenuated / fluid containment air cooled auto start / stop diesel engine package, Permanent magnet 100A electronic charging, 22 gallon fuel tank, includes 5" color touch screen power management controller, cellular modem package for monitoring includes 5-year service.

**Batteries:** Wanaco Battery Box with Bolted Lid, Four 12V sealed AGM Batteries (400 Ah Total Capacity), 50 Amp Battery Charger

Approximate batteries only run time: 50% Light brightness = 17 Hrs. 100% Light brightness = 8 Hrs.

**Standard color:** Powder Coated Flat Black, white battery box and NEMA box

Models	Model Code	Part Number	MSRP
Medium trailer Hybrid diesel and 1,600-watt solar array	WLTS-MM4A-1600H	235461-C1	\$52,150
Options		Add	MSRP
Vertical 30 foot (9.1m) telescoping hand crank winch tower			\$1,000
Electric winch option instead of hand crank winch			\$860
Lunette ring for 3.0-inch pintle hitch (replaces standard hitch)			\$100
Remote Power Management Monitoring system, Wanaco generic Cell modem with 5-years' service,			Included
Spare tire / wheel and carrier			\$285
Wheel chocks			\$430



**All Prices are FOB Wanaco Factory. Confidential Information. Do not disclose to parties outside of your organization. Pricing effective 7/15/2023**